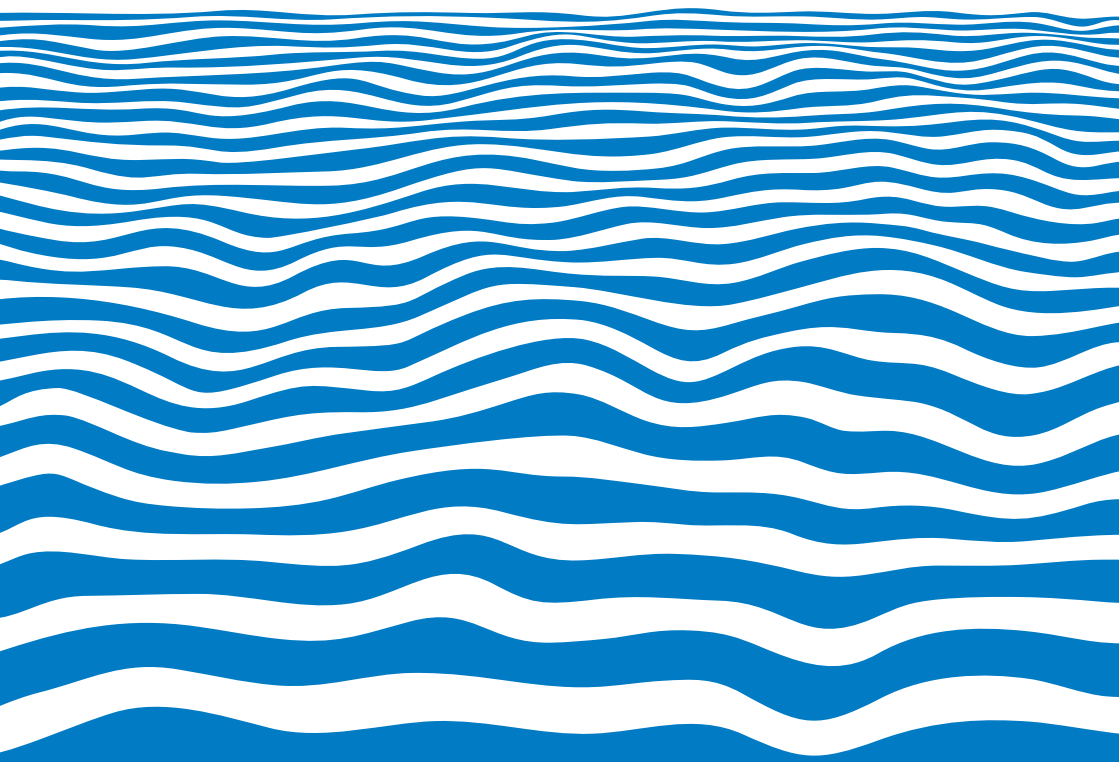


YANKEE

Pool Air
Pillow

**USER
MANUAL**



THANK YOU FOR TRUSTING YANKEE POOL PRODUCTS!

We love swimming pools, and we're committed to bringing cool swimming pool maintenance solutions to everyone who loves swimming pools as much as we do.



To view the most recent version of this manual online, scan the QR code or follow the link:

www.yankeepoolcovers.com/manuals

If you need assistance or advice, please email us at:
info@yankeepoolcovers.com

Date of manufacturing: _____

IMPORTANT:

- Please read this manual before using the pool air pillow, and keep the manual for reference.
- If you have any questions about this product or face any issues when using it, feel free to contact us directly for answers and assistance.
- Don't use the pool air pillow in any ways that are not described in this manual.
- Please inspect the pillow for premature wear or deterioration before use.



WARNING

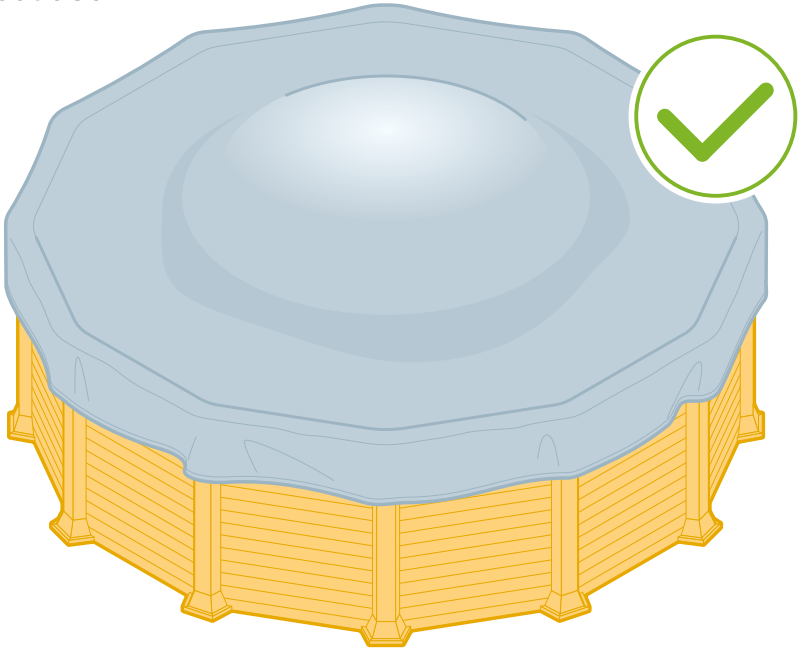
AVOID DROWNING RISK

- This is not a toy
- Keep away from children.
- This is not a floating device: it will not protect against drowning.
- There is no substitute for adult supervision around a swimming pool
- Failure to follow all instructions may result in injury or drowning.

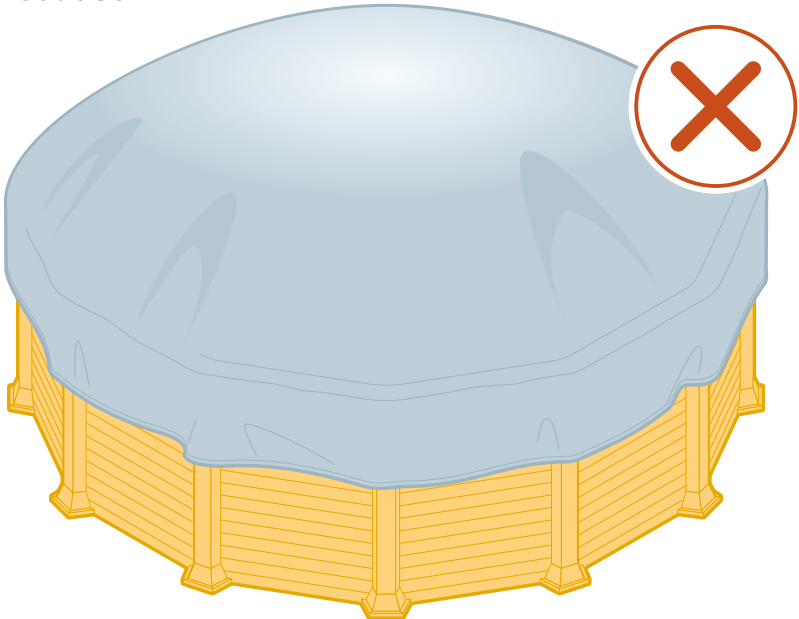
YANKEE

Distributed by:
Amazonas USA LLC
16850 Collins Ave. #112-306
North Miami Beach, FL 33160, USA
info@yankeepoolcovers.com

Correct use

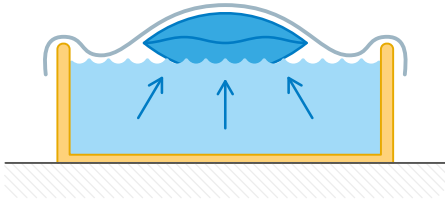


Incorrect use



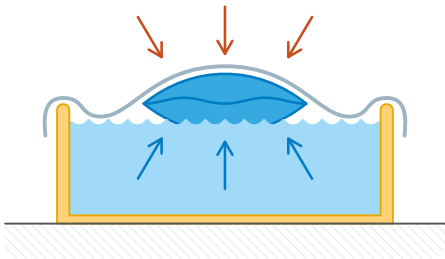
INTRODUCTION

The pool air pillow will help you winterize your swimming pool in a smarter way. It protects your pool against ice damage, keeps the cover from sagging, and ensures that your pool will make it intact through the colder months. Here's more on the substantial benefits:



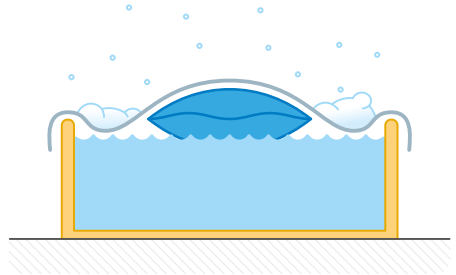
Stops pool walls from ripping

The water expands as it freezes, and it can damage your pool. Inflated to two-thirds of its capacity, the pillow absorbs the pressure of expanding ice, thus preventing damage.



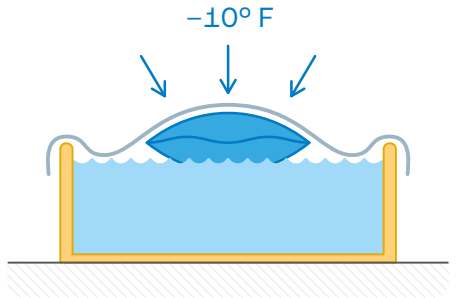
Durability for years

Regular pool pillows last for one season only. We wanted ours to be much stronger, so we've used 0.4 mm of PVC and the double-sealing technology to make sure you can reuse the pillow in the years to come.



Protects the pool cover

Snow and debris can build up at the center of the cover, making it sag and potentially slip or tear under their weight. Placed at the center, the pillow elevates the cover and supports it throughout winter.



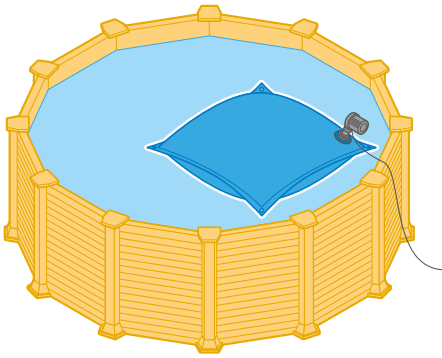
High cold resistance

This air pillow for pool winterization is built to withstand even the toughest climates. It can cope with the cold as bad as -10°F (-25°C), and it's resistant to the deteriorating effects of snow, ice, and wind.

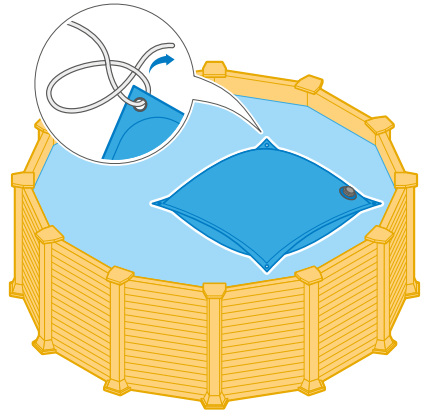
HOW TO USE

NOTE: Do not inflate the pillow to its full capacity. It needs room inside to absorb the pressure of expanding ice.

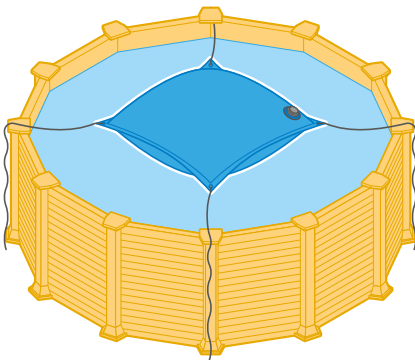
Depending on the size and shape of your above-ground pool, it may require more than one pillow for proper winterization.



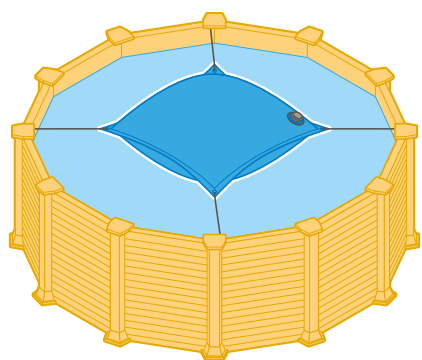
1 Inflate the pillow to about 60% to 70% (two-thirds) of its full capacity through its hermetic dual Boston valve that's compatible with any blower.



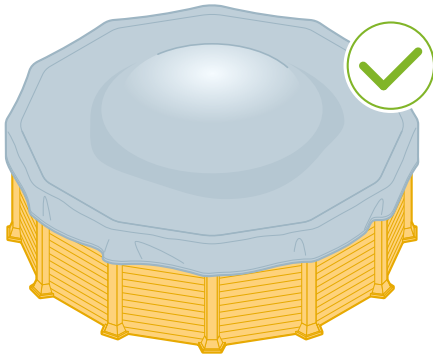
2 Tie the rope to the reinforced grommets.



3 Place the pillow at the center of your pool.

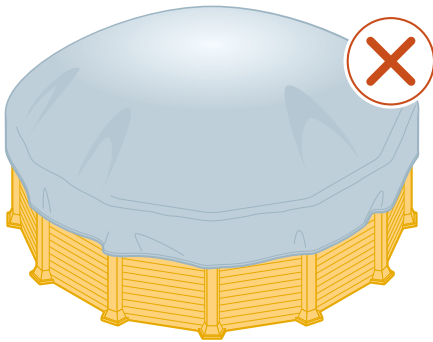


4 Tie the other ends of the rope to the sidewalls of your pools.



5 Place your pool cover onto the pillow.

IMPORTANT: Make sure the cover is loose enough so that it embraces the pillow and rests on the water around the pillow.

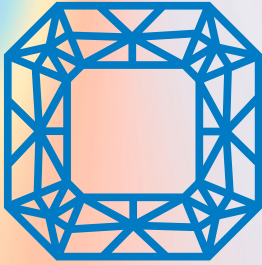


MAINTENANCE

- Keep the chemical balance of the water in your swimming pool healthy according to standard pool maintenance recommendations (proper pH, lime hardness, total alkalinity, and free chlorine levels).
- Clean the pillow with non-aggressive cleaners and fresh water using a brush. Let the pillow dry before folding it up.

STORAGE

- Clean and dry the pillow before folding it up for storage.
- Store in a dry, cool place.
- Do not expose the pillow to sharp objects that can cause cracks or tears (or both) in it.
- Keep away from heat sources and flammable substances.



**SAPPHIRE
SERIES**



YANKEE

