

CMYK PRINT (Two Sides)

Name: Yankee Inflatable Ball Light Manual

Size:
420 x 148 mm

Dieline:
— Cut
— Fold



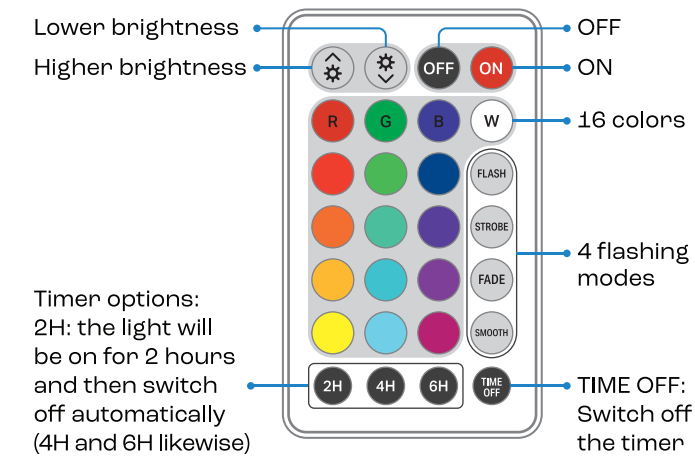
⚠ WARNING

- This is not a toy.
- Keep away from Children.
- This is not a floating device, will not protect against drowning.
- There is no substitute for adult supervision around a swimming pool.
- Failure to follow all instructions may result in injury or drowning.
- Choking hazard – small parts. Not for children under 3 years of age.

ATTENTION

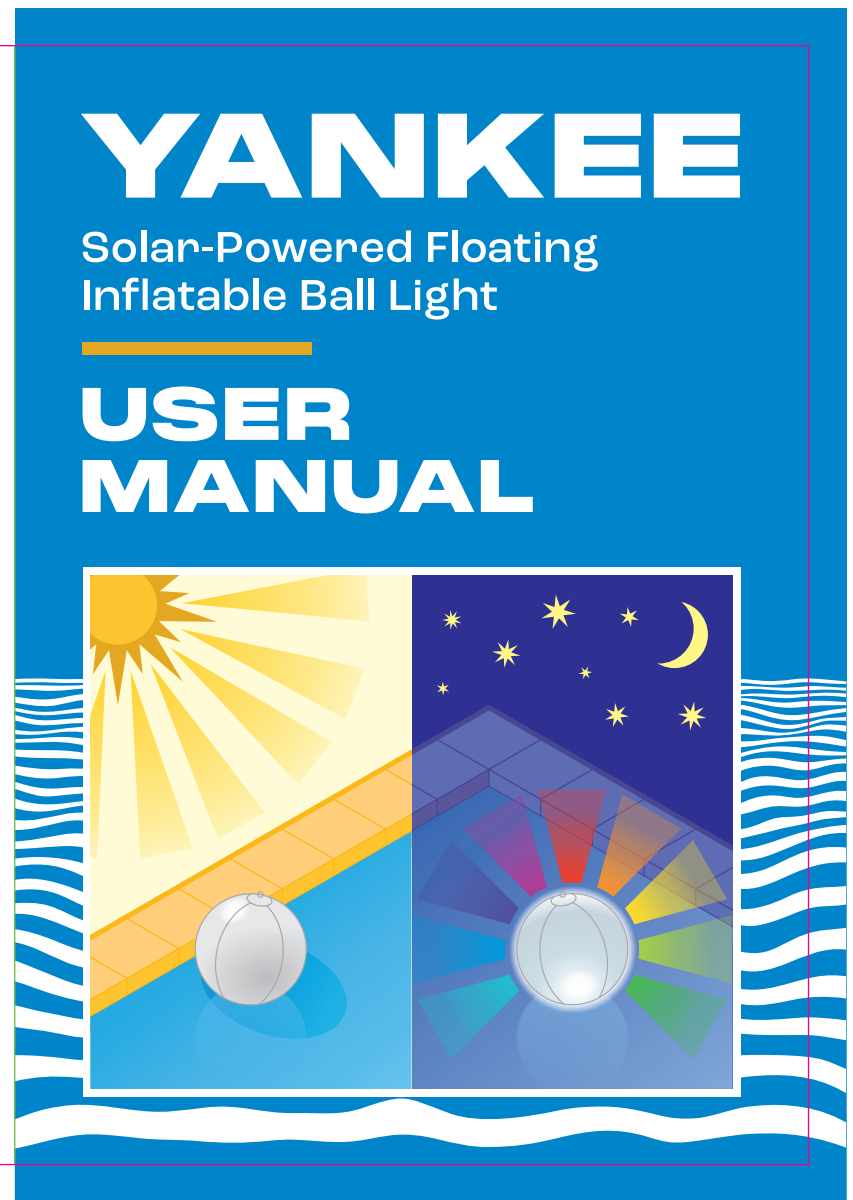
- Fill the water bag with water before inflating the ball.
- Do not overinflate. If you're using an electric pump, do not use it unattended while inflating the ball.
- To prevent leaking, make sure the valve cover always stays pressed down and doesn't stick out.
- Charge the ball under direct sunlight for 6 to 8 hours before first use.
- Keep the ball away from sharp objects.
- Keep the ball away from heat, fire, and sparks.

REMOTE CONTROL



TECHNICAL DETAILS

Material	PVC
Battery	NI-MH
Waterproof capacity	IP68
Color	RGB (16 colors)
Remote range	26 to 33 ft (8 to 10 m)
Additional settings	Brightness levels, 4 flashing modes



THANK YOU FOR TRUSTING OUR PRODUCTS!

Your choice of this solar-powered floating inflatable ball light shows your commitment to eco-friendly and innovative lighting solutions. This versatile light not only adds a whimsical charm to your pool but also serves as a delightful decoration in various settings. Enjoy its enchanting glow and the convenience it brings to your outdoor spaces.

- Please read this manual before using the ball and keep the manual for reference.
- Don't use the ball in any ways that are not described in this manual.
- If you have any questions about the ball or face any issues when using it, feel free to contact us directly at info@yankeepoolcovers.com for answers and assistance.



DISCOVER THE BENEFITS

Magical Ambiance

The light emits a soft, ambient glow, perfect for creating a charming atmosphere for evening gatherings or quiet, reflective moments by the pool.

Eco-Friendly Illumination

Harnessing solar power, this light changes during the day, providing a sustainable and cost-effective lighting solution that glows beautifully at night.

Remote Convenience

With the included remote control, effortlessly switch among 16 colors and 4 flashing modes, or use the timer for customized lighting arrangements.

NOTE: The ball will only glow at night after being changed from direct sunlight during the day. Before you use it for the first time, let it fully charge for 6 to 8 hours. It will automatically start glowing when it gets dark, and it'll keep working for up to 8 hours.

Versatile Use

Not just for pools, this inflatable ball light can be hung on trees or used in different outdoor locations, offering flexibility as a festive decoration for any event.

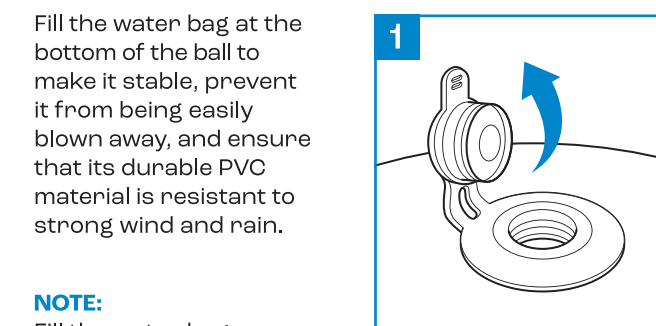
Durable and Waterproof

Crafted to be waterproof (IP68), this light withstands outdoor conditions, ensuring reliability whether floating in your pool or adorning your garden.

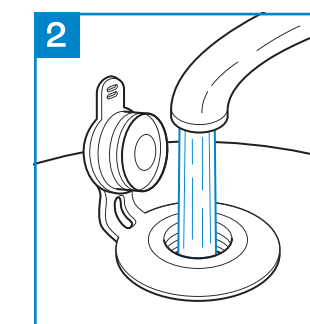
FILLING THE WATER BAG

Fill the water bag at the bottom of the ball to make it stable, prevent it from being easily blown away, and ensure that its durable PVC material is resistant to strong wind and rain.

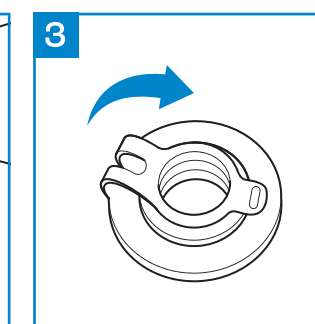
NOTE: Fill the water bag before inflating the ball!



Open the water bag lid

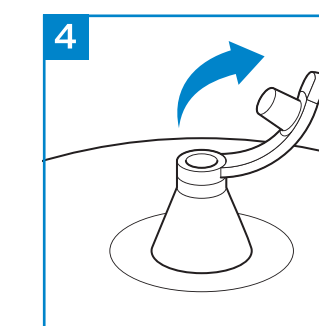


Fill the bag with water

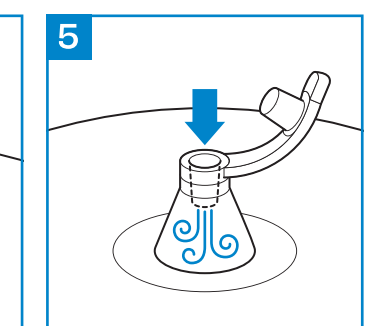


Close the lid tightly

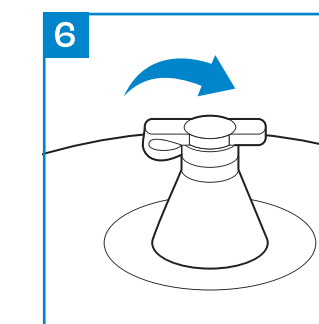
INFLATING THE BALL



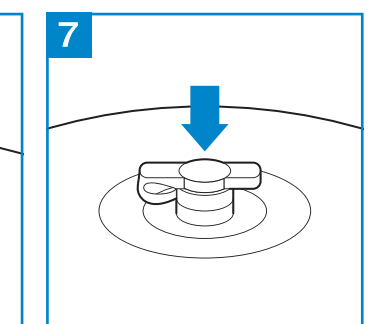
Open the air valve cover



Use the pump outlet to push and open the safety valve



Fill the ball with air and close the valve cover



Press down the air valve cover tightly until it's the same level as the ball's surface