

CMYK PRINT (Two Sides)

Name: Poolside Basket Manual

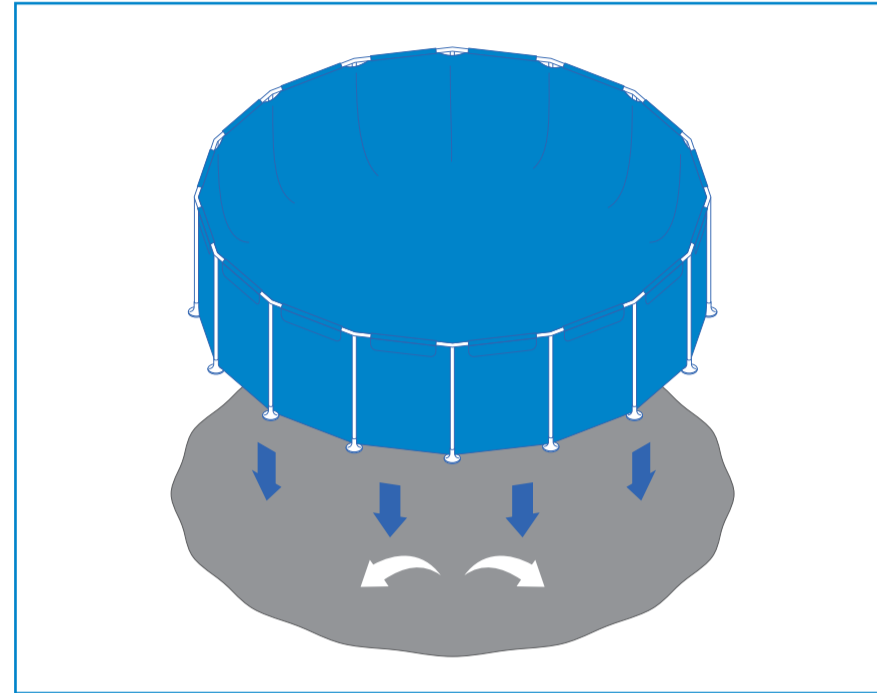
Size:
420 x 200 mm

Dieline:
— Cut
— Fold

SOFT-SIDED POOL

If you're planning to use the liner pad for a soft-sided above-ground pool (a pool where the liner and the walls are inseparable), follow these steps:

- Prepare the pool area by removing debris and leveling the ground. If needed, compact the soil and add a base layer.
- Unfold and spread the liner pad.
- Put the above-ground pool on the liner pad so that the entire bottom of the pool touches the pad.
- Your pool is now protected: you can fill it with water.

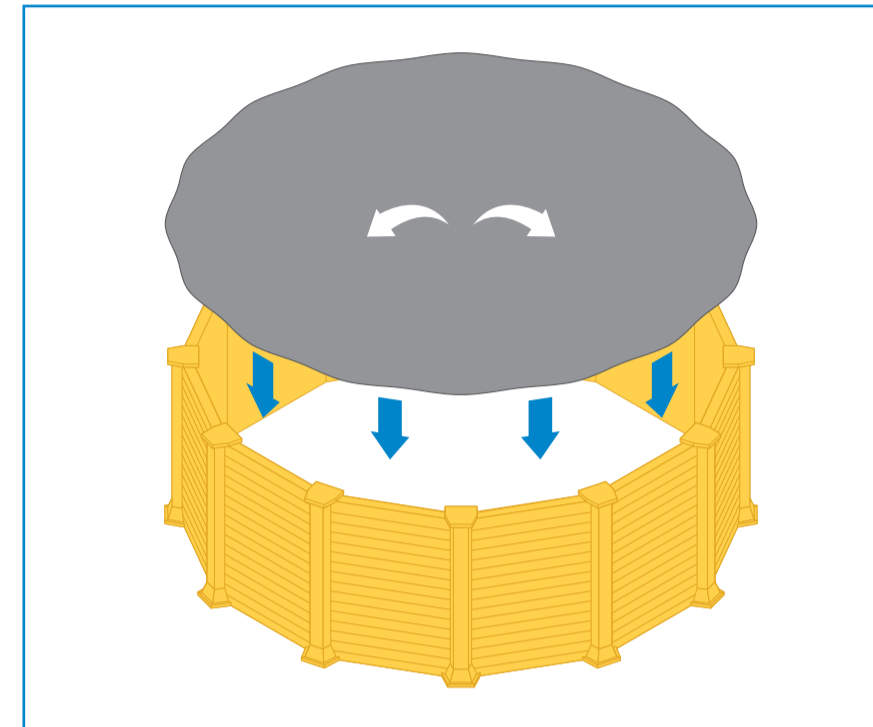


NOTE: You can easily trim the liner pad if it's too big for your pool, but make sure it's slightly bigger than your pool floor in the end to ensure maximum protection.

HARD-SIDED POOL

If you're planning to use the liner pad for a hard-sided above-ground pool (the those where you install the walls first and then install the liner), follow these steps:

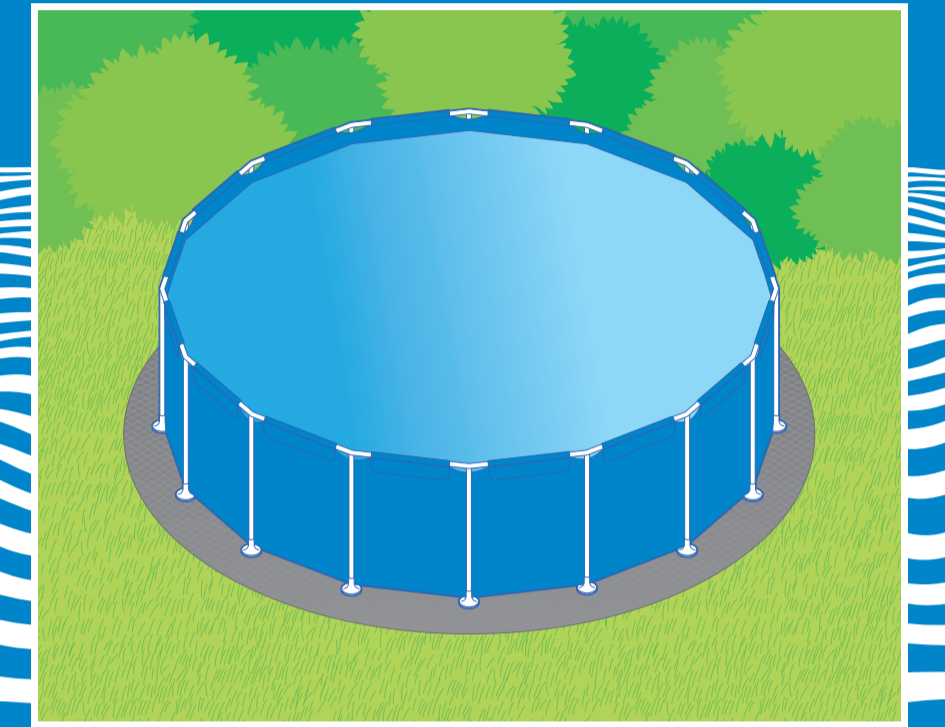
- Once the walls are installed, prepare the pool area by removing debris and leveling the ground. If needed, compact the soil and add a base layer.
- If your pool has them, install the bottom pool covers.
- Unfold and spread the liner pad inside your pool. Smooth it and make sure it covers the entire pool floor. It can cover the coves, too.
- Your pool floor is now protected: you can install the liner on top of the liner pad and go on with the assembly process for your pool.



YANKEE

Liner Guard Pad for Above-Ground Pool

USER MANUAL



THANK YOU FOR TRUSTING OUR PRODUCTS!

You are now equipped to maintain your above-ground pool properly. Enjoy the confidence of knowing your pool liner is shielded against punctures and damage. The extra protection ensures endless fun and lasting memories in a secured pool environment.

- Please read this manual before using the above-ground pool liner guard floor pad and keep the manual for reference.
- Don't use the lights in any ways that are not described in this manual.
- If you have any questions about the basket or face any issues when using it, feel free to contact us directly at info@yankeepoolcovers.com for answers and assistance.



DISCOVER THE BENEFITS

Puncture Prevention

Crafted from pro-grade geotextile, this floor pad acts as a strong barrier, protecting your pool liner from punctures and tears.

Ground Made Safe

Our floor pad is a formidable opponent to grass growth, roots, and rocks, keeping the liner smooth and intact.

Extended Liner Life

By safeguarding against sharp objects, our floor pad effectively prolongs the life of your pool liner: expect up to three times the longevity.

Quality and Comfort

The dense geotextile material not only offers protection but also adds a layer of cushioning, providing a softer bottom for your pool.

Effortless Installation

No need for tools or adhesives: simply unfold the pad on your desired spot and place the liner on top for instant use.

Customizable Fit

The material can be easily trimmed to match the exact shape and size of your pool, ensuring a perfect fit every time.

All Pool Types

Whether it's for a soft-sided or hard-sided above-ground pool, this floor pad fits seamlessly beneath the entire pool or under the liner.

Versatile Foundation

Whether you're setting up on grass, sand, stone, or concrete, this pad offers a reliable, soft base for your above-ground pool.

! WARNING

- The liner pad is designed for above-ground pools. Do not use it with in-ground pools or as a substitute for in-ground pool liners.
- Ensure the ground is properly leveled and cleared of large debris before installing the liner pad to prevent damage.
- When trimming the liner pad to fit, carefully use sharp tools to avoid any damage to the pad or injury. Ensure the pad is on a safe cutting surface, and keep hands and fingers clear of the cutting line.
- While the liner pad can be trimmed, it's crucial to leave a slight overhang beyond the pool's circumference to guarantee complete coverage and protection.
- Installation should be performed by adults or under adult supervision to ensure proper setup and safety precautions.
- The liner pad is designed to protect the pool liner and should not replace a proper pool foundation or base layer.
- After installation, ensure there are no gaps or spaces at the edges where rocks or roots could penetrate and damage the liner.
- While the liner pad protects the liner from below, it does not waterproof the ground. Proper drainage around the pool area should be ensured.
- Avoid exposing the pad to concentrated chemicals which could degrade the material over time.
- Regularly check the condition of the liner pad, especially after severe weather or at the beginning of the season, to ensure continued protection.