

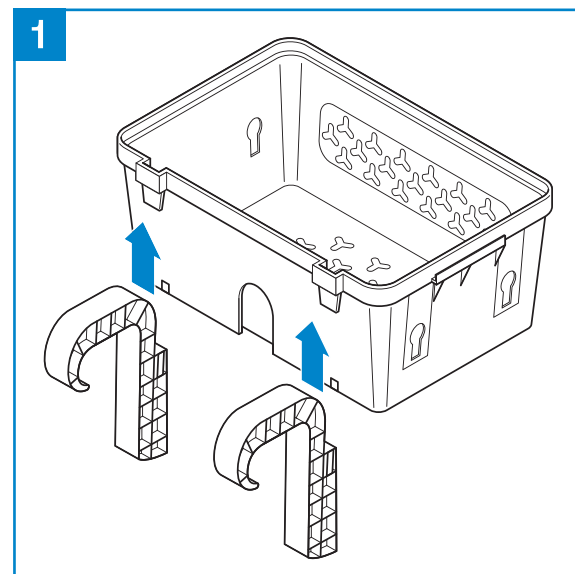
CMYK PRINT (Two Sides)

Name: Poolside Basket Manual

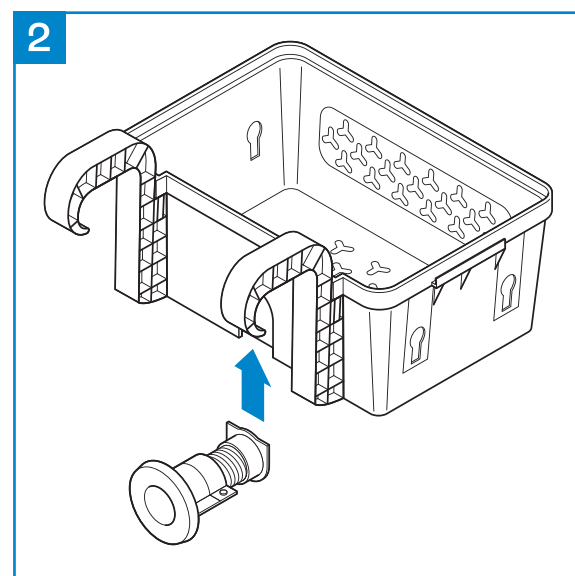
Size:
420 x 200 mm

Dieline:
— Cut
— Fold

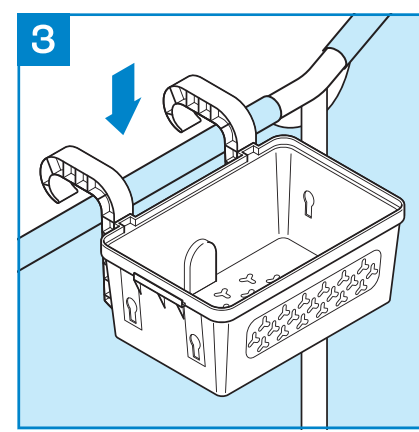
ASSEMBLING THE BASKET



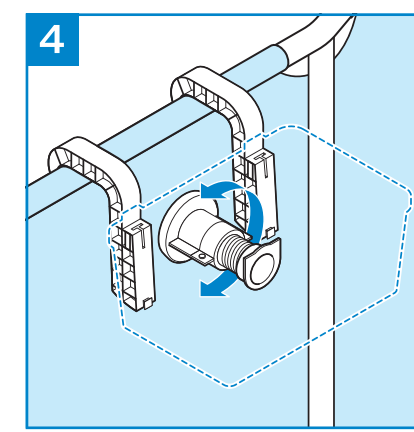
Attach the 2 large hooks to the main basket by inserting them into the special grooves on its back.



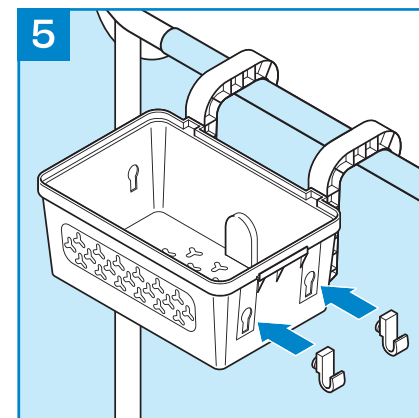
Attach the regulator between the hooks.



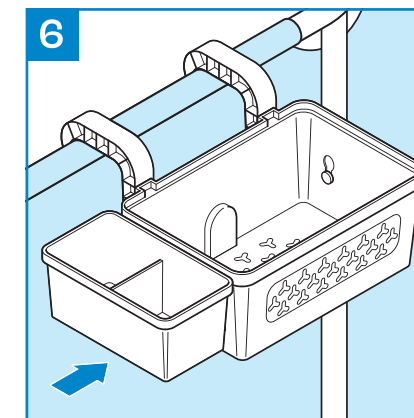
Hang the basket on the wall of your above-ground pool (so that the basket faces away from the pool).



Twist the regulator to make it longer or shorter until the basket's bottom is at the right angle to the pool wall.



On one side of the basket, attach the 2 small hooks that you can use for towels, goggles, mesh bags, and more.

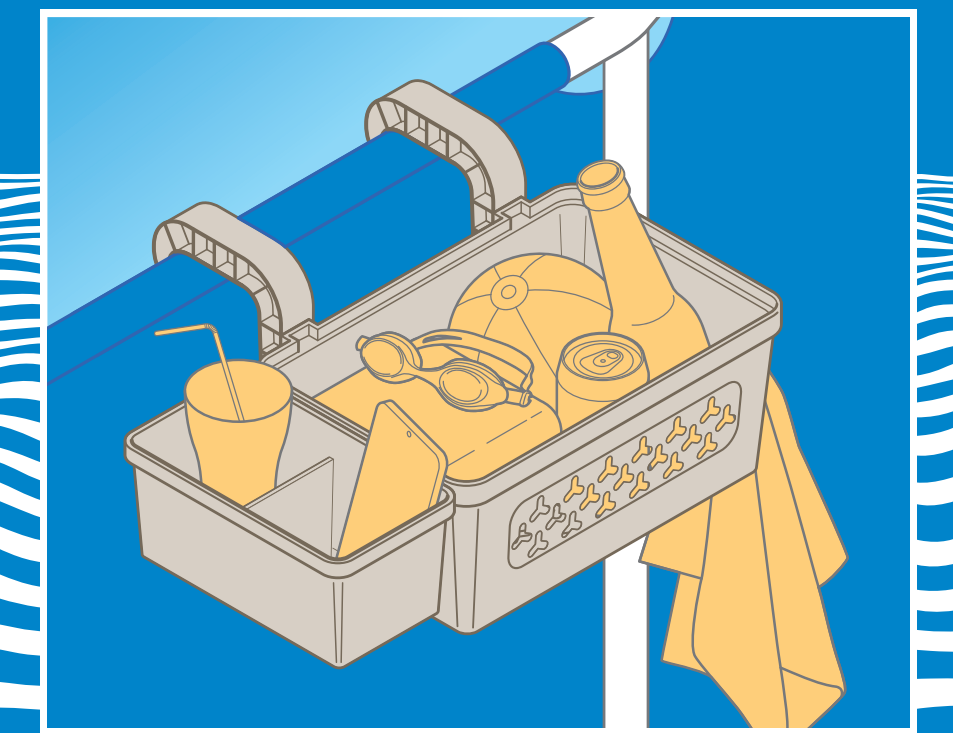


On the other side of the basket, attach the smaller compartment that you can use for gadgets, personal care supplies, snacks, and more.

YANKEE

Poolside Basket
for Above-Ground Pool

USER MANUAL



THANK YOU FOR TRUSTING OUR PRODUCTS!

This storage solution will add practicality and organization to your pool area. Your poolside experience is now enhanced as everything you need is conveniently accessible and neatly organized. Enjoy the simplicity and efficiency the basket brings to your swimming sessions.

- Please read this manual before using the basket and keep the manual for reference.
- Don't use the lights in any ways that are not described in this manual.
- If you have any questions about the basket or face any issues when using it, feel free to contact us directly at info@yankeepoolcovers.com for answers and assistance.



DISCOVER THE BENEFITS

Optimized Organization

The large main compartment, with strategic holes for drainage, offers ample space to store pool accessories, snacks and beverages, toys, skin care products, and more.

Customizable Configuration

With attachable hooks and an extra compartment, the basket can be tailored to hold towels, small items, and more, providing a personalized storage solution.

Stable and Sturdy

The robust, non-collapsible design guarantees stability and durability, ensuring the basket remains securely in place and withstands regular use.

Adjustable Positioning

Featuring a telescopic regulator, the basket can be precisely adjusted, ensuring it stays upright at the perfect angle and avoids slanting regardless of its contents.

Convenient Poolside Access

Easily attachable to above-ground pool walls, this main basket and the smaller compartment keep essentials at arm's reach, enhancing convenience and allowing you to enjoy your pool time more.

! WARNING

- Do not overload the basket.
- Ensure that the basket is securely attached to the pool wall.
- Avoid placing sharp or pointed objects in the basket.
- Do not store pool chemicals or other hazardous substances in the basket.
- Keep the basket away from heat, fire, and sparks.
- Keep the basket out of reach of young children.
- Do not use the basket as a step or support for climbing.
- In extreme weather conditions, remove the basket from the poolside to prevent damage from high winds or severe storms.
- Periodically check the basket for any signs of wear and tear. Replace if any damage is observed to ensure continued safety and performance.
- Adjust the telescopic regulator carefully to avoid the basket tilting and spilling its contents.